

FHEM10 Series


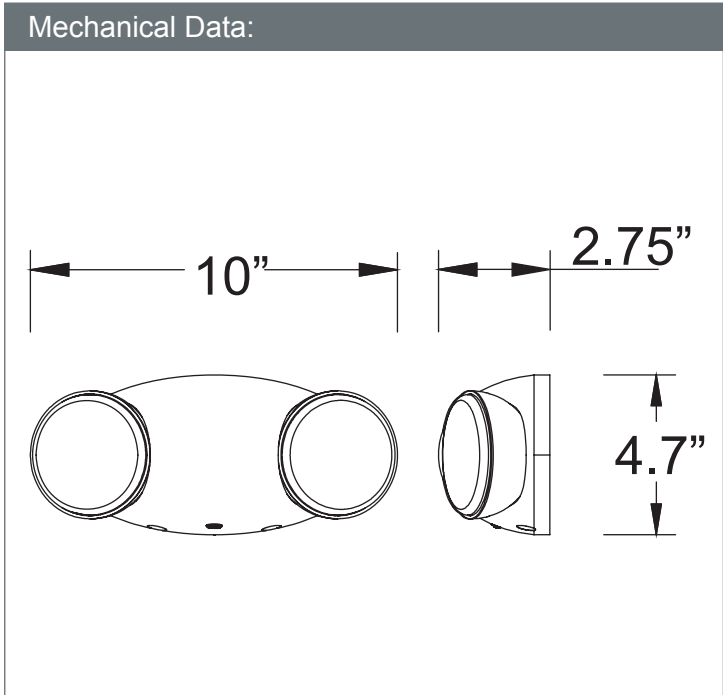
Project: _____ Type: _____ Model No.: _____

Remarks: _____

Specification:

Lamp Type	LED
Lamp Wattage	120VAC, 60Hz, 0.0898A, 0.56W 277VAC, 60Hz, 0.00736A, 0.54W
Emergency Operation	90 minutes

Listings & Certification:

- Standard Features:**
- Push-to-test Switch
 - LED Charge Indicator
 - Ni-Cad Premium Battery
 - Dual Voltage 120V/277V
 - Specification Grade Design
 - Universal Mount
 - Long Life Energy Saving LED light source
 - Fully adjustable glare free lighting heads
 - Universal mounting pattern knockout in backplate for J-box mounting
 - Snap fit construction speeds installation.

Ordering Information:

Base Model No.	Case Color	Options
FHEM10	W - White	H - High Lumen
	B - Black	

Build part number by adding Base Model No., and Case Color, and if desired option code.
 Example: FHEM10-WH