

FHEX20 Series

Project: _____ Type: _____ Model No.: _____

Remarks: _____

Specifications:

| | | | |
|---------------------|------------|-----------------------------|--|
| Lamp Type | LED | | |
| Lamp Wattage | Red | 120VAC, 60Hz, 0.019A, 1.49W | |
| | | 277VAC, 60Hz, 0.009A, 1.88W | |
| | Green | 120VAC, 60Hz, 0.019A, 1.49W | |
| | | 277VAC, 60Hz, 0.009A, 1.57W | |
| Emergency Operation | 90 minutes | | |

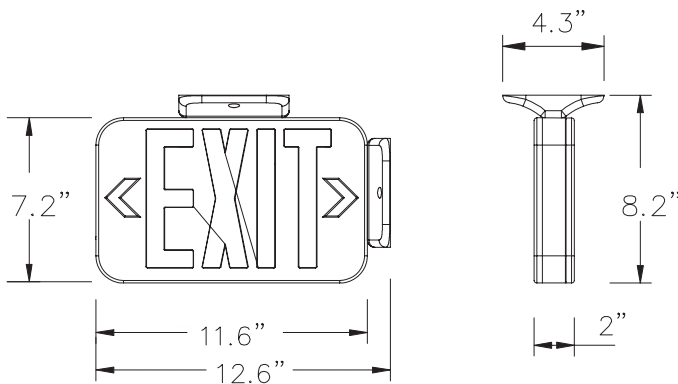
Listings & Certifications:



Model: FHEX20



Mechanical Data:



Standard Features:

- Push-to-test Switch
- LED Charge Indicator
- Ni-Cad Premium Battery
- Dual Voltage 120V/277V
- Specification Grade Design
- Universal Mount
- Long Life Energy Saving LED light source
- Field replaceable snap out/in chevron directional indicator.
- Snap-fit faceplate installs without use of tools
- Universal single face and double face (extra faceplate included)
- Universal mounting pattern knockout in backplate for J-box mounting

Ordering Information:

| Base Model No. | Case Color | Letter Color | Operation |
|----------------|------------|--------------|---------------------|
| FHEX20 | W - White | R - Red | AC - AC Only |
| | B - Black | G - Green | EM - Battery Backup |

Build part number by adding Base Model No., one of each Case Color, and Letter Color, and desired options code(s). Example: FHEX20-BG-EM