

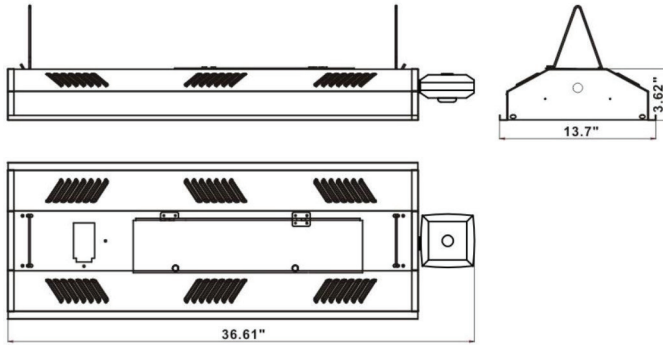
High Bay with Motion Sensor

- Built in heavy duty Y-hangers with 3' chain
- Drivers located on easy access hinge door
- Non-corrosive powder coated steel body
- Optional frosted lens (HL32LENS) sold separately

Catalog Number

Notes

Type



Input Line Frequency _____ 60Hz
 Lamp Life (Rated) _____ 50,000Hrs
 Minimum Starting Temp _____ -20°C
 Maximum Operating temp _____ 40°C
 CRI _____ ≥80
 Power Factor _____ <0.90
 THD _____ 10%
 Dimmable _____ 10% 0-10V



WATTS	MODEL NO.	LUMENS	CCT	VOLTAGE
150	HL15032MS850	18,000	5000	120-277
ACCESSORIES:		HL32LENS		
NOTES:				

Manufactured by

