



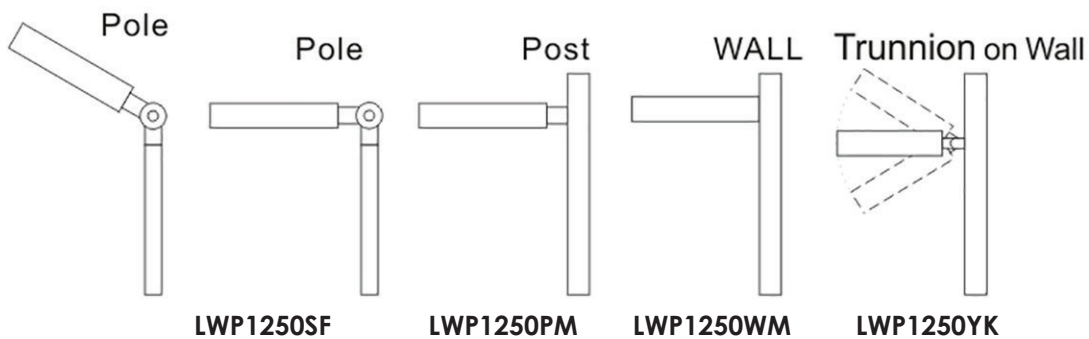


LED Area Light Accessories

- Die-cast aluminum with UV protected bronze finish powder coat
- Round/square pole mount arm (LWP1250PM), slipfitter mount (LWP1250SF), wall mount arm (LWP1250WM), and U-bracket (LWP1250YK) each sold separately

Project	Type
Catalog Number	
	
	



WATTS	MODEL NO.	LUMENS	CCT	VOLTAGE	REPLACES
-	LWP1250PM	-	-	-	-
-	LWP1250SF	-	-	-	-
-	LWP1250WM	-	-	-	-
-	LWP1250YK	-	-	-	-
NOTES:					

Manufactured by

