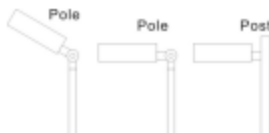


LED

50,000 Hours Life, 150 Watt, 120-277VAC 60Hz

Applications:

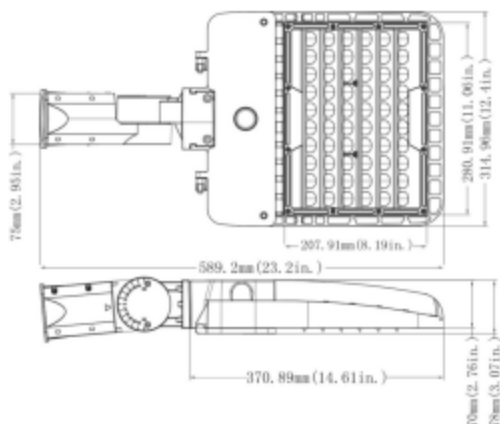
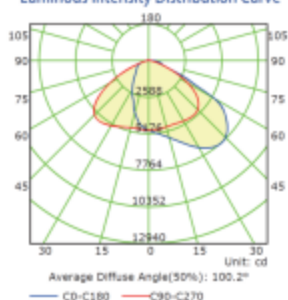
Parking Lots, Security Lighting, Pole, Post Mount, Auto Dealerships, Walkways, Roadways, Facade Lighting, Grocery Stores.



Features:

- Replace 600W HID Unit
- 120/277 Dual Voltages
- Aluminum Rust Proof Body
- Suitable For Wet Location(IP65)
- Adjustable Multiple Mounting Methods (Pole Mount Included)
- Accessories Sold Separately: Splitter, B-Level Occupancy Detector, U- Bracket, Post Arm

Luminous Intensity Distribution Curve



Catalog Number

Notes

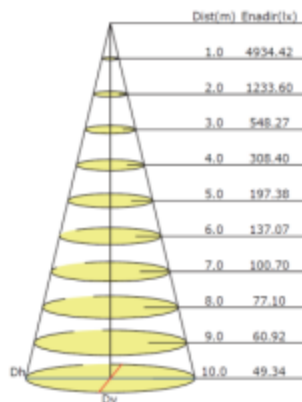
Type



Specification:

Input Line Voltage.....	120-277VAC
Input Power.....	150W
Input Line Frequency.....	60Hz
Lamp Life (Rated).....	50,000hrs
Minimum Starting Temp.....	-20-C/-4-F
Maximum Operating Temp.....	40-C/104 -F
CCT.....	5000K
CRI.....	70
Lumens.....	18500
Dimmable.....	0-10V

Illuminance at a Distance



WARRANTY

5-YEAR

Model:#	Description	wattage	Incandescent Equivalent	lumens
LWP150SBF-WH/850	150 Watt LED Area Light White Finish, Day Light	150	600	18500
LWP150SBF-BZ/850	150 Watt LED Area Light Bronze Finish, Day Light	150	600	18500

* 5 Year Limited Warranty

UPC: LWP150SBF-WH/850 80680215393-3
LWP150SBF-BZ/850 80680215392-6