

LED

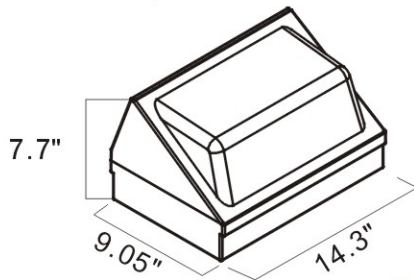
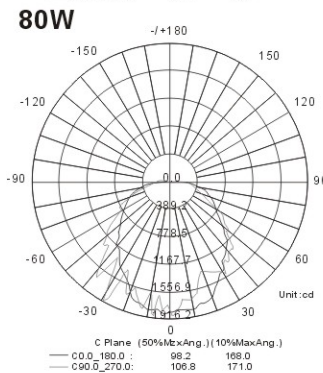
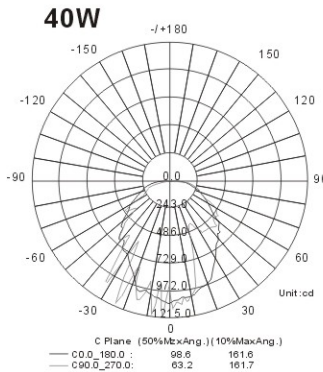
50,000 Hours Life, 40 & 80 Watt, 120-277VAC 60Hz

Applications:

Parking Lots, Wall Light, Security Lighting

Features:

- 120/277 Dual Voltages
- Aluminum Rust Proof Body
- Instant Start Electronic Unit
- Suitable For Wet Location(IP65)



WARRANTY

* 5-YEAR

Catalog Number

Notes

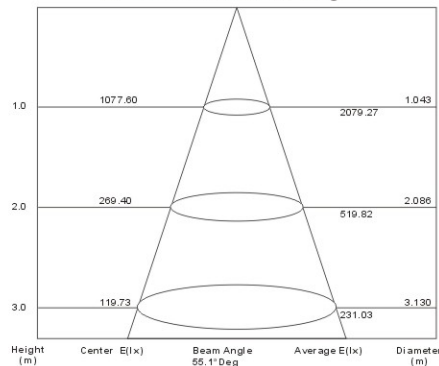
Type



Specification:

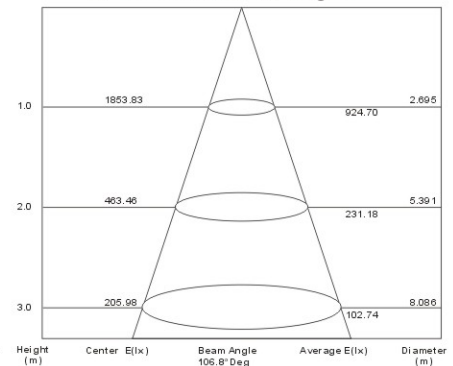
Input Line Voltage:	120-277VAC
Input Power	40/80W
Input Line Frequency	60Hz
Lamp Life (Rated)	50,000hrs
Minimum Starting Temp	-20°C/-4°F
Maximum Operating Temp	45°C/113°F
CCT	5500K
CRI	≥70
Lumens	3400/6800
CBCP	1215/1946

40W
Illuminance-Distance Diagram



Note: The curves indicate the illuminated area and the average illumination when the luminaire is at different distance.

80W
Illuminance-Distance Diagram



Note: The curves indicate the illuminated area and the average illumination when the luminaire is at different distance.

Model:#	Description	wattage	lumens
LWP40FHZ/DL	40Watt Hard Wire LED Light Bronze Body, Day Light	40W	3400
LWP80FHZ/DL	80Watt Hard Wire LED Light Bronze Body, Day Light	80W	6800

*Based on 4 hours usage a day

UPC: LWP40FHZ/DL 793573-749987
LWP80FHZ/DL 793573-749994

Cyber Tech Lighting, Inc.

1301 E Wilshire Ave, Santa Ana, CA 92705

Tel: 714-543-8500, 1-877-60CYBER Fax: 714-543-8501

www.cybertechlighting.com