

# LED Area Light

- Pictured with optional slipfitter (LWP1250SF)
- Mounting option must be purchased separately - see next page
- Compact one piece die-cast aluminum with UV protected bronze finish powder coat
- Type III light distribution
- Suitable for wet locations
- 5-year warranty



## SPECIFICATIONS

Input Line Frequency \_\_\_\_\_ 50/60Hz  
 Lamp Life (Rated) \_\_\_\_\_ 50,000Hrs  
 Minimum Starting Temp \_\_\_\_\_ -40°C  
 Maximum Operating temp \_\_\_\_\_ 46°C  
 CRI \_\_\_\_\_ 70  
 Dimmable \_\_\_\_\_ 10% 0-10V

## DIMENSIONS

LWP105SBFBZ850 \_\_\_\_\_ 11.26" x 12.4" x 3.07"  
 LWP150SBFBZ850 \_\_\_\_\_ 14.61" x 12.4" x 3.07"  
 LWP250SBFBZ850 \_\_\_\_\_ 22.8" x 12.4" x 3.54"



WATTS	MODEL NO.	LUMENS	CCT	VOLTAGE	REPLACES
105	LWP105SBFBZ850	13,400	5000	120-277	400W MH
150	LWP150SBFBZ850	18,500	5000	120-277	600W MH
250	LWP250SBFBZ850	33,000	5000	120-277	750W MH





NOTES:

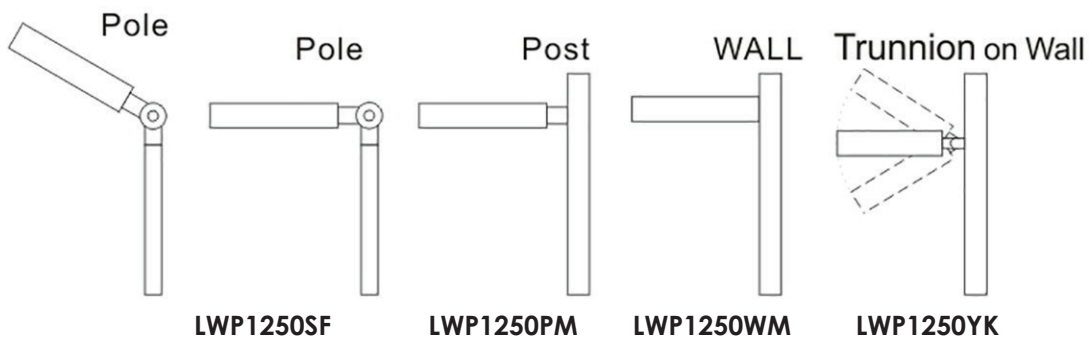
Manufactured by



# LED Area Light Accessories

- Die-cast aluminum with UV protected bronze finish powder coat
- Round/square pole mount arm (LWP1250PM), slipfitter mount (LWP1250SF), wall mount arm (LWP1250WM), and U-bracket (LWP1250YK) each sold separately

Project	Type
Catalog Number	
	
	



WATTS	MODEL NO.	LUMENS	CCT	VOLTAGE	REPLACES
-	LWP1250PM	-	-	-	-
-	LWP1250SF	-	-	-	-
-	LWP1250WM	-	-	-	-
-	LWP1250YK	-	-	-	-
NOTES:					

Manufactured by

