

LED Premium Shoebox/Flood

- Standard with photo control and slip-fitter
- Self-cleaning profile features a ground-facing access door and matt bronze TGIC polyester finish
- Post-surface mount (E3SBARM) and yoke mount (E3SBSVL) sold separately
- If photo cell is not used it requires shorting cap (E1ACCSHORT), sold separately
- Type III light distribution
- Suitable for wet locations
- 5-year warranty



SPECIFICATIONS

Input Line Frequency _____ 60Hz
 Lamp Life (Rated) _____ 50,000Hrs
 Minimum Starting Temp _____ -40°C
 Maximum Operating temp _____ 40°C
 CRI _____ 70
 Dimmable _____ 0-10V

DIMENSIONS

E3SB1XX _____ 10.2" x 17.0" x 3.6"
 E3SB2XX _____ 17.0" x 19.3" x 3.6"
 E3SB300 _____ 17.0" x 19.3" x 3.6"



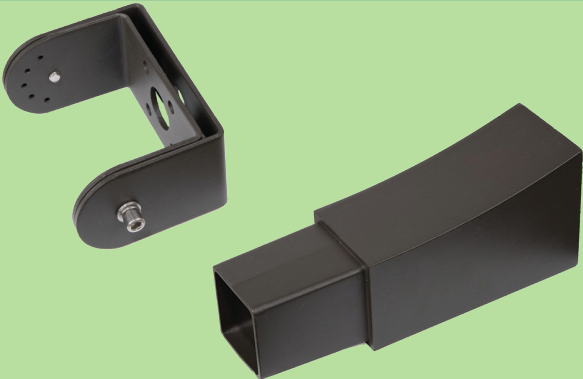
WATTS	MODEL NO.	LUMENS	CCT	VOLTAGE	REPLACES
100	E3SB100L3750	14,584	5000	120-277	250W MH
156	E3SB150L3750	22,388	5000	120-277	400W MH
208	E3SB200L3750	31,188	5000	120-277	750W MH
254	E3SB240L3750	36,345	5000	120-277	1000W MH
315	E3SB300L3750	44,640	5000	120-277	1000W HPS
150	E3SBH150L3750	22,245	5000	347-480	400W MH
234	E3SBH240L3750	36,459	5000	347-480	1000W MH
300	E3SBH300L3750	45,601	5000	347-480	1000W HPS
NOTES:					

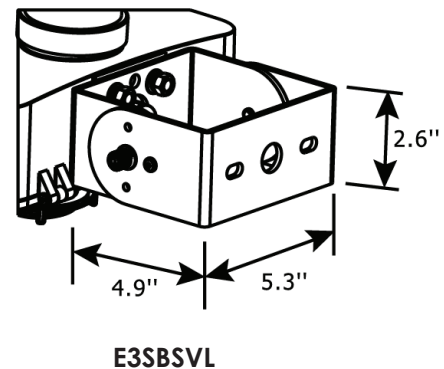
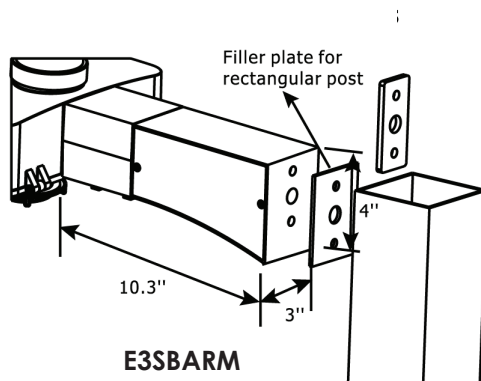
Manufactured by

energetic
Smarter lighting

LED Shoebox/Flood Accessories

- Die-cast aluminum with UV protected bronze finish powder coat
- Post-surface mount (E3SABARM) and U-bracket (E3SBSVL) each sold separately
- E3SABARM includes plates for round and square poles
- E3SBSVL adjusts from -90° to 90° range

Project	Type
Catalog Number	
	



WATTS	MODEL NO.	LUMENS	CCT	VOLTAGE	REPLACES
-	E3SABARM	-	-	-	-
-	E3SBSVL	-	-	-	-
-	E1ACCSHORT	-	-	-	-
NOTES:					

Manufactured by

